

5 52 044 0

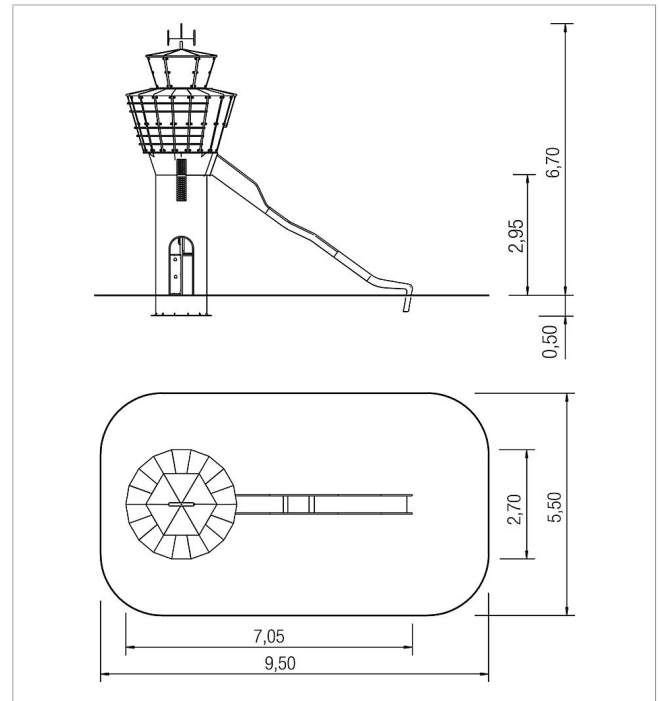
basis Airport tower Munich

made in germany



Scope of delivery

- 1x slide tower: steel powder, stainless steel
- 1x slide: stainless steel
- 3x climbing panel: HPL
- 4x platform: stainless steel grooves
- 1x light dome: glass ESG
- 1x antenna: stainless steel



	Material	Steel powder.
	Foundation level	FL 3
	Minimum space	950x550x670 cm
	Free falling height	295 cm
	Impact protection net	60,0 m ²
	Foundations	2x CF