

5 59 084 0

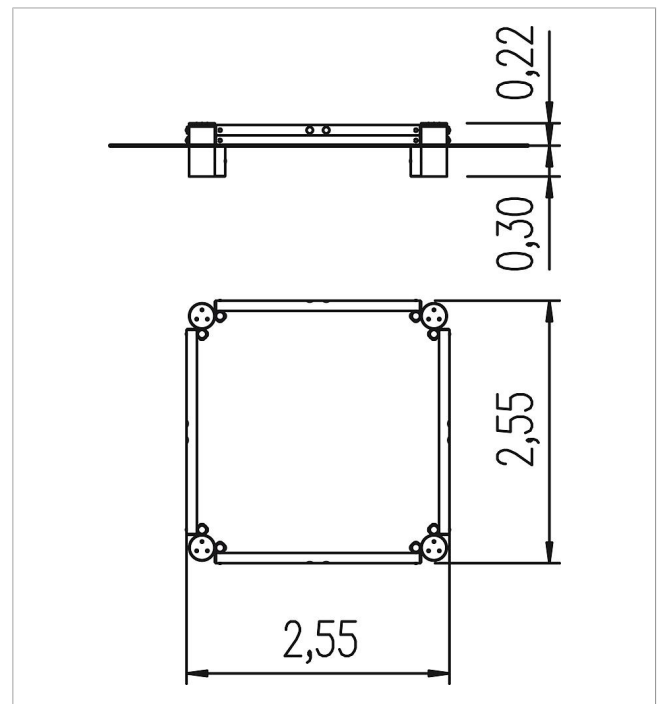
Basis Palisade sandpit, square 260 cm

made in germany



Scope of delivery

4x side elements: SW
4x corner bollards: SW



| | | |
|--|-----------------------|----------------|
| | Material | SW pi |
| | Foundation level | - |
| | Minimum space | 255x255x200 cm |
| | Free falling height | 20 cm |
| | Impact protection net | - |
| | Foundations | - |
| | Assembly | 2 persons/2 h |
| | Largest section | 200x50x20 cm |
| | Heaviest section | 17 kg |