

5 59 087 0

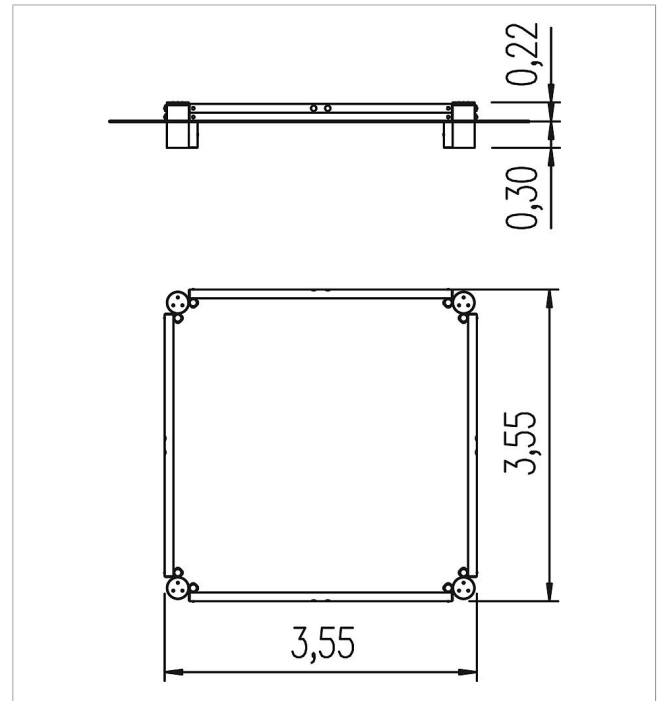
Basis Palisade sandpit, square 360 cm

made in germany



Scope of delivery

4x side elements: SW
4x corner bollards: SW



	Material	SW pi
	Foundation level	-
	Minimum space	355x355x200 cm
	Free falling height	20 cm
	Impact protection net	-
	Foundations	-
	Assembly	2 persons/2 h
	Largest section	300x50x20 cm
	Heaviest section	25 kg