

5 59 270 0

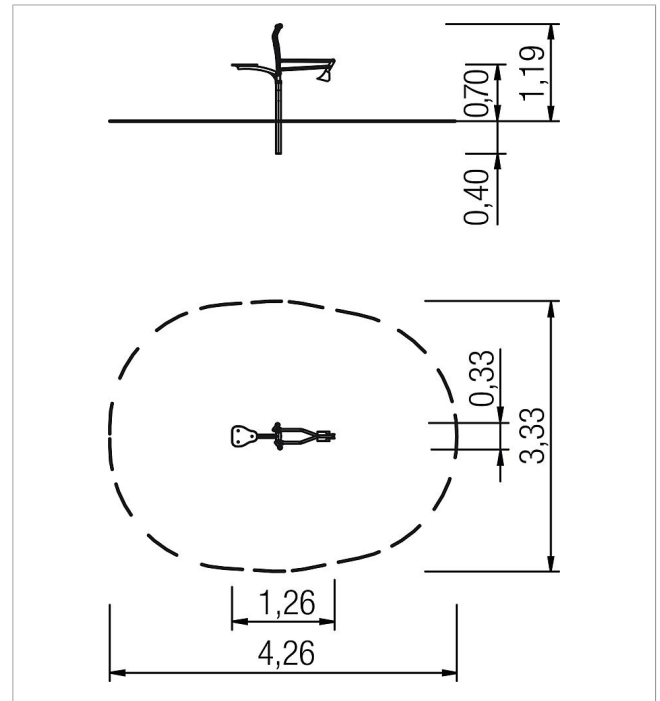
## Basis Sand excavator Mole

made in germany

3+

### Scope of delivery

- 1x sand digger: stainless steel
- 1x seat: HPL



	Material	Stainless steel
	Foundation level	FL 3
	Minimum space	Ø 400x180 cm
	Free falling height	44 cm
	Impact protection net	-
	Foundations	1x CF
	Assembly	1 person/1 h
	Largest section	120x120x30 cm
	Heaviest section	20 kg