

5 40 107 1113 1

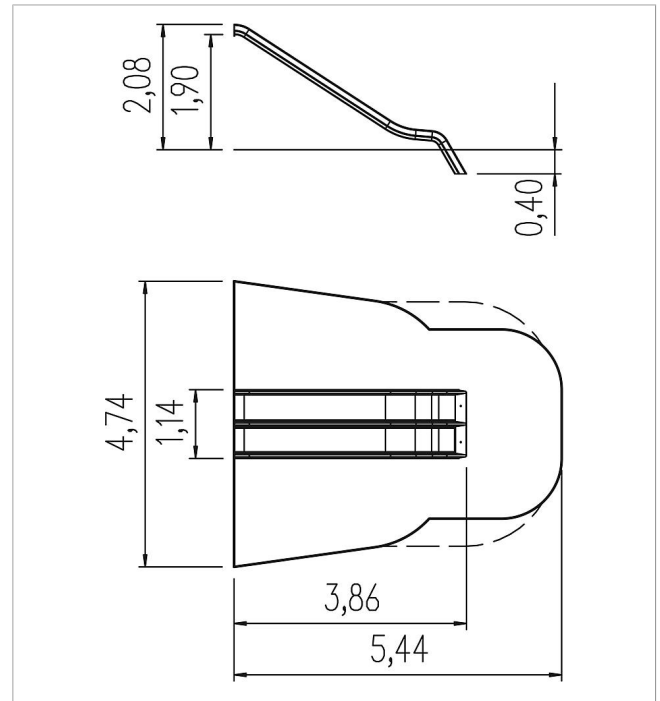
**Basis Add-on slide  
double GFRP & SSt  
coat, ph 195 cm**

made in germany

3+

### Scope of delivery

1 double slide PH 190 cm GFRP



	Material	GFRP iguana & SSt coat
	Foundation level	FL 1
	Minimum space	544x474x370 cm
	Free falling height	190 cm
	Impact protection net	21,0 m <sup>2</sup>
	Foundations	1x CF or 1x PFs
	Assembly	2 persons/1 h
	Largest section	459x114x45 cm
	Heaviest section	70 kg