



# 5 40 101 1013 1

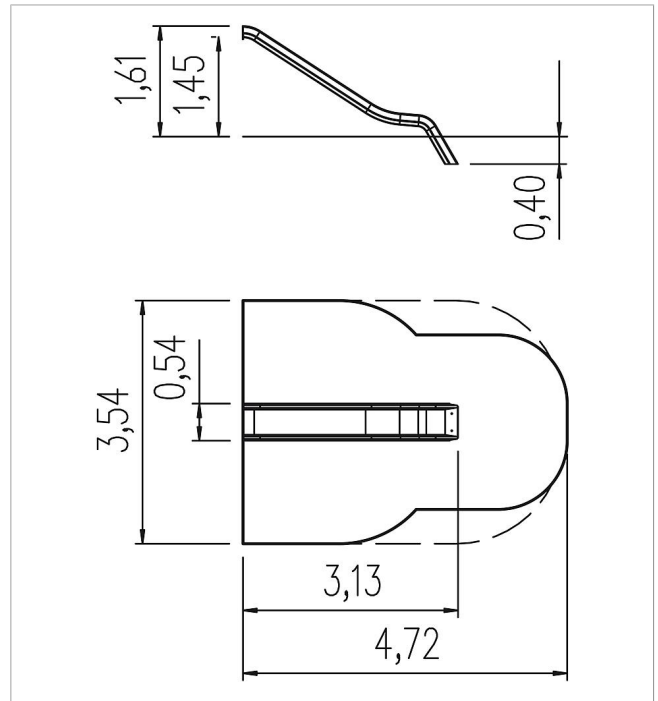
## Basis Add-on slide, ph 145 cm

made in germany



### Scope of delivery

1x slide ph 145 cm: GFRP



	Material	GFRP iguana
	Foundation level	FL 1
	Minimum space	472x354x325 cm
	Free falling height	145 cm
	Impact protection net	14,0 m <sup>2</sup>
	Foundations	1x CF or 1x PFs
	Assembly	2 persons/1 h
	Largest section	375x48x45 cm
	Heaviest section	38 kg