

5 40 102 1113 1

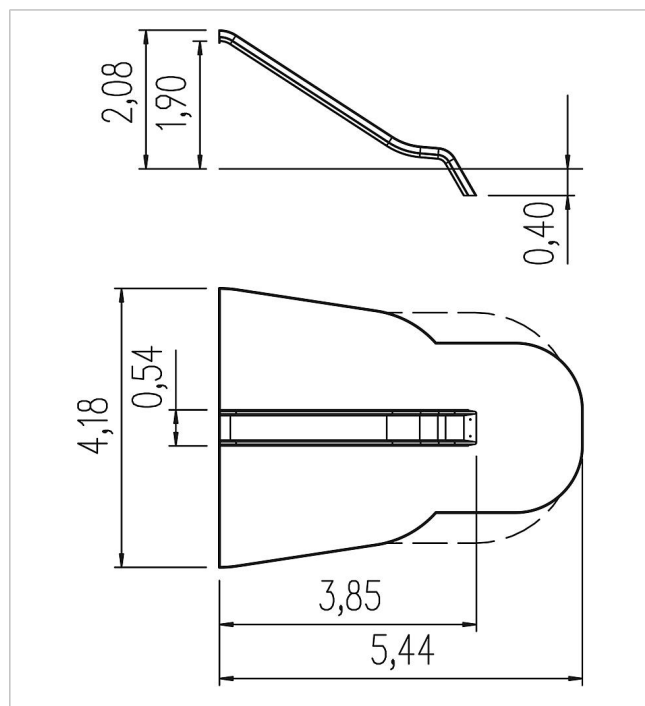
Basis Add-on slide, ph 195 cm

made in germany

3+

Scope of delivery

1x slide ph 190 cm: GFRP with stainless steel cover



	Material	GFRP iguana & SSst coat
	Foundation level	FL 1
	Minimum space	544x418x370 cm
	Free falling height	195 cm
	Impact protection net	18,0 m ²
	Foundations	1x CF or 1x PFs
	Assembly	2 persons/1 h
	Largest section	459x48x45 cm
	Heaviest section	65 kg