



5 40 105 1012 6

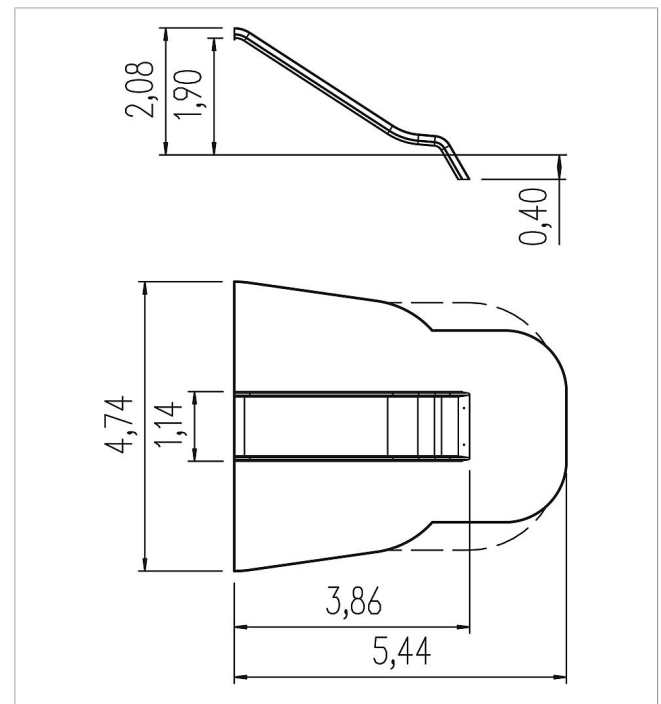
**Basis Add-on slide
wide GFRP, ph 195 cm**





made in germany

3+

Scope of delivery

1 wide slide PH 190 cm: GFRP



	Material	GFRP red
	Foundation level	FL 1
	Minimum space	544x474x370 cm
	Free falling height	195 cm
	Impact protection net	21,0 m ²
	Foundations	1x CF or 1x PFs
	Assembly	2 persons/1 h
	Largest section	459x114x45 cm
	Heaviest section	65 kg