

5 55 306 5

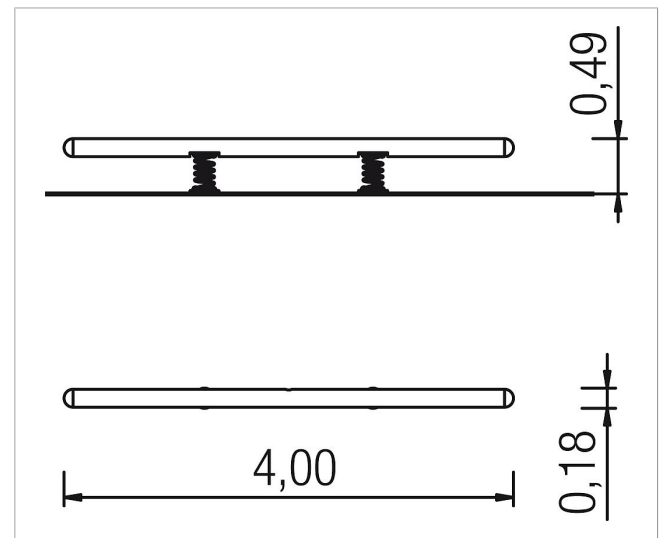
## balance balancing trainer Disco Fox



made in germany



### Scope of delivery

1x balancing beam: SW  
2x springs: spring steel



	Material	SW pi
	Foundation level	FL 1
	Minimum space	400x18x230 cm
	Free falling height	49 cm
	Impact protection net	-
	Foundations	2x 5632100 + 2x CF or 2x CF
	Assembly	2 persons/1 h
	Largest section	400xØ 16 cm
	Heaviest section	60 kg