



5 55 330 5

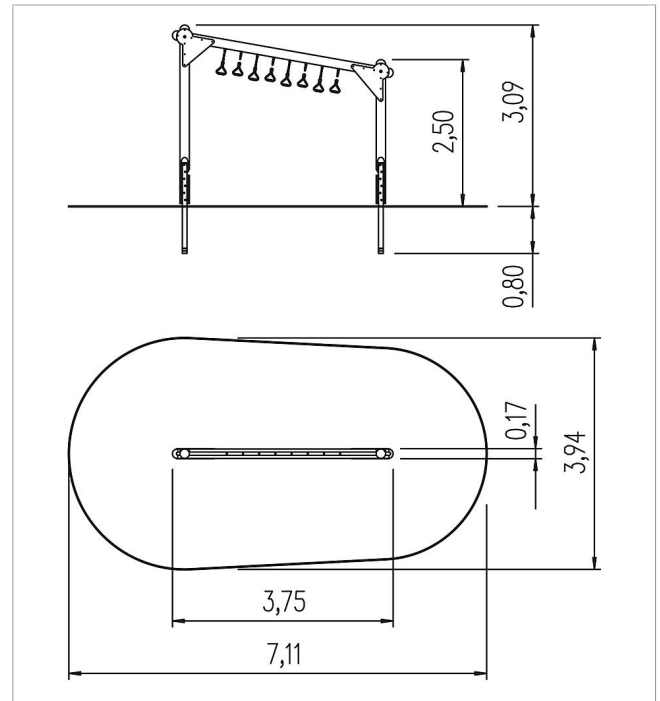
balance hand climbing bridge Rock'n'Roll

made in germany



Scope of delivery

- 8x hand-over-hand grips: plastic-coated steel cable
- 1x wood structure: SW, HPL
- 2x post shoe: galvanised steel



	Material	SW pi
	Foundation level	FL 1
	Minimum space	711x394x309 cm
	Free falling height	220 cm
	Impact protection net	24,0 m ²
	Foundations	2x CF
	Assembly	2 persons/2 h
	Largest section	381xØ 16 cm
	Heaviest section	58 kg