

5 55 327 5

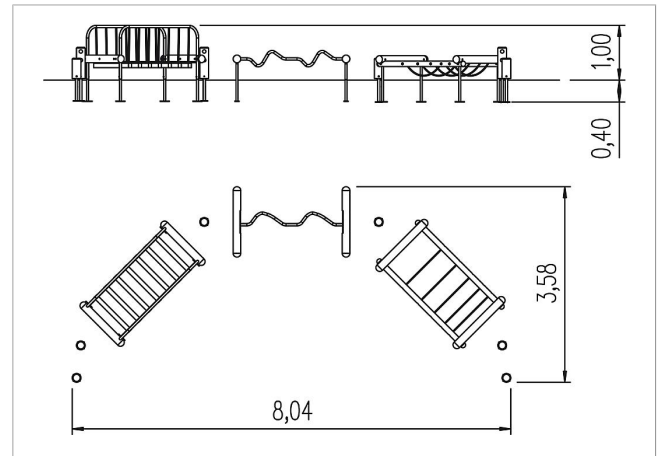
balance Paso Doble professional

made in germany



Scope of delivery

1x 5553245 Boogy Woogy: SW
 1x 5553135 Cha Cha Cha: SW
 1x 5553165 Samba: SW
 3x 5553105 Step 40: SW
 3x 5553115 Step 60: SW
 post shoes: galvanised steel, painted plate



	Material	SW pi
	Foundation level	FL 1
	Minimum space	806x359x239 cm
	Free falling height	54 cm
	Impact protection net	-
	Foundations	18x CF or 12x PFs + 6x CF
	Assembly	-
	Largest section	242x116xØ 42 cm
	Heaviest section	60 kg