



5 55 641 0

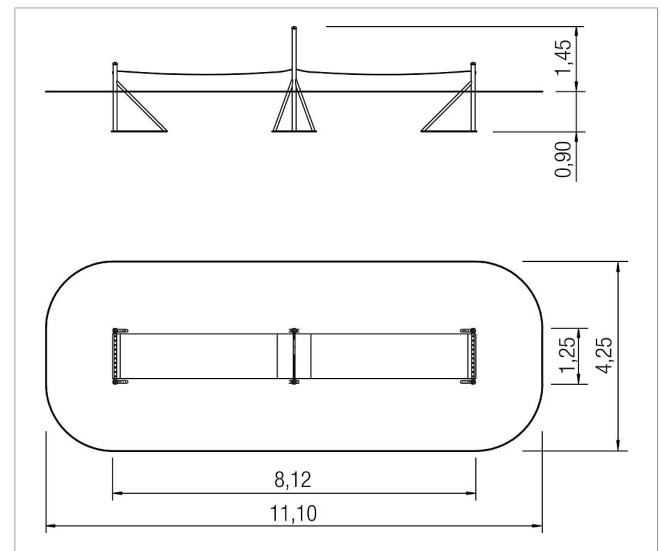
Basis balance rubber belt bridge Salsa

made in germany



Scope of delivery

- 1x singelband: rubber
- 3x beugel: thermisch verzinkt staal



	Material	Rubber, steel
	Foundation level	FL 3
	Minimum space	111x425x345 cm
	Free falling height	50 cm
	Impact protection net	46,0 m ²
	Foundations	6x CF