

5 55 331 0

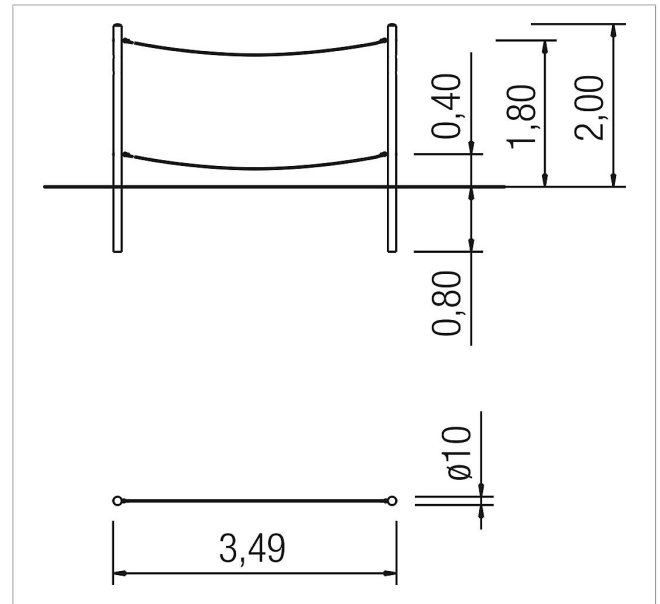
balance Waltz
balancing rope with
metal posts

made in germany



Scope of delivery

2x post: galvanised steel
2x rope: plastic-coated steel cable



| | | |
|--|-----------------------|-----------------|
| | Material | Steel |
| | Foundation level | FL 1 |
| | Minimum space | 349x10x220 cm |
| | Free falling height | 40 cm |
| | Impact protection net | - |
| | Foundations | 2x CF |
| | Assembly | 2 persons/1.5 h |
| | Largest section | 280xØ 10 cm |
| | Heaviest section | 25 kg |