



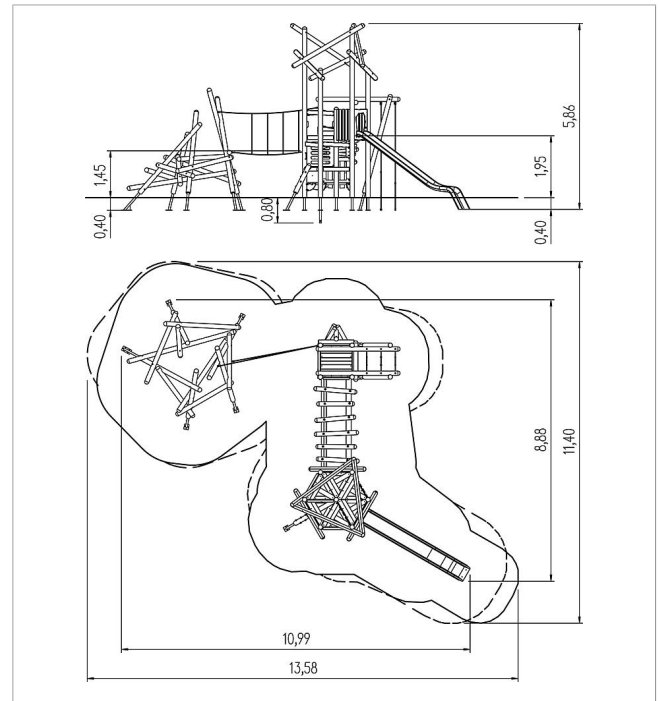
5 25 912 0310 0






**climbo climbing
combination Naomi,
solo**
made in germany



Scope of delivery

- 11x post structure: SW or steel
- 7x platform with planks: SW
- 1x roof crown: SW
- 1x climbing board: HPL
- 1x trunk ascent: SW
- 1x liana ascent: plastic-coated steel cable, SW
- 1x log with crossbars ascent: SW
- 1x log bridge: SW
- 1x climbing structure: SW
- 7x parapet: SW
- 2x walk-through protection: plastic-coated steel cable, stainless steel
- 1x slide entry plate: HPL
- 2x access restriction: HPL
- 3x set of grips: steel
- 2x seat bench: SW, HPL



	Material	Larch natural
	Minimum space	1358x1140x586 cm
	Free falling height	195 cm
	Impact protection net	81,0 m ²
	Foundations	19x CF or 6x PFI + 11x PFs + 2x CF