

5 25 901 0410 0

climbo climbing  
structure medium

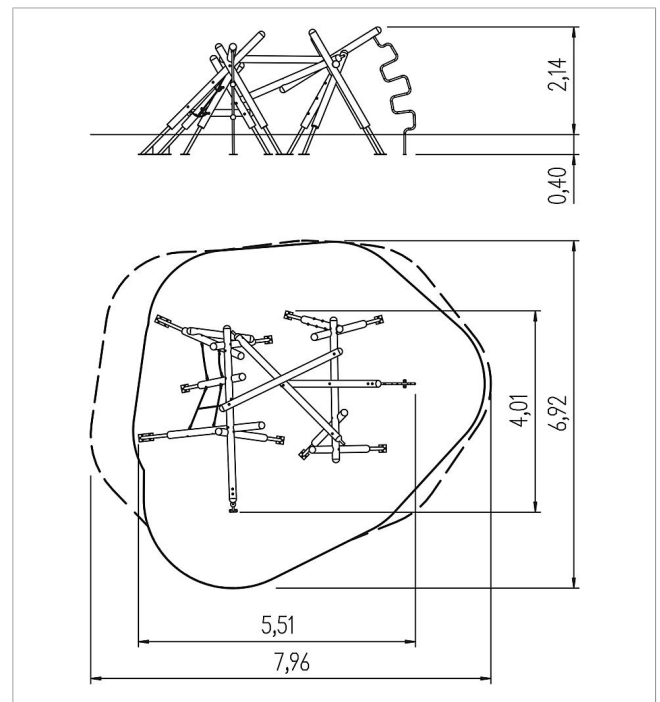
Nerea

made in germany



### Scope of delivery

- 9x post construction: SW
- 9x post shoe: galvanised steel
- 6x climbing beam: SW
- 3x rope construction: polyester-coated steel cable
- 1x climbing pole sphere: stainless steel
- 1x climbing element jumble: stainless steel



	Material	Larch GL
	Minimum space	796x692x394 cm
	Free falling height	214 cm
	Impact protection net	36,0 m <sup>2</sup>
	Foundations	11x CF or 6x PFI + 3x PFs