

5 25 065 0410 6

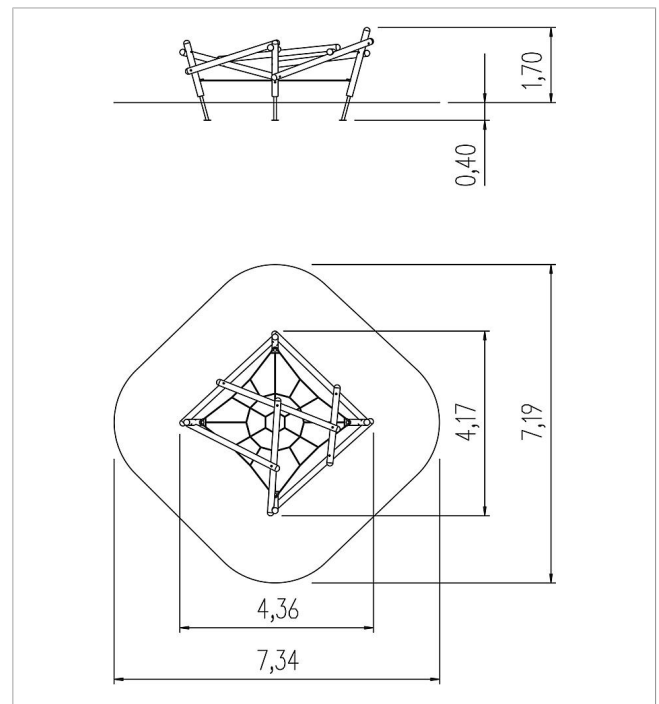
## climbo climbing structure Terion


made in germany



### Scope of delivery

- 4x post structure: SW
- 4x post shoe: galvanised steel
- 1x climbing net: plastic-coated steel cable



	Material	Larch GL green
	Foundation level	FL 1
	Minimum space	734x719x350 cm
	Free falling height	145 cm
	Impact protection net	35,0 m <sup>2</sup>
	Foundations	4x CF