

5 25 908 0310 0

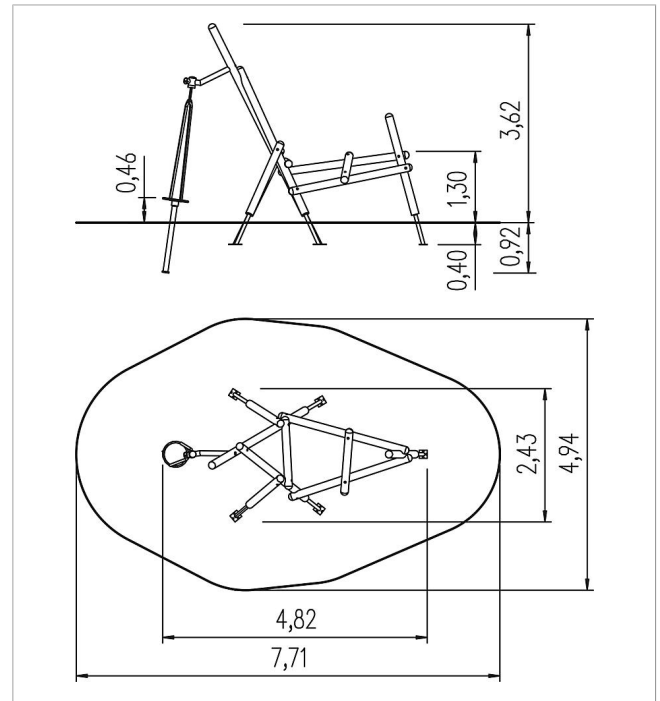
climbo climbing structure Yuki

made in germany



Scope of delivery

- 9x post structure: SW
- 5x post shoe: galvanised steel
- 1x double whisk: stainless steel



	Material	Larch natural
	Minimum space	771x494x362 cm
	Free falling height	130 cm
	Impact protection net	28,5 m ²
	Foundations	6x CF or 5x PFI + 1 CF