

5 25 042 0710 0

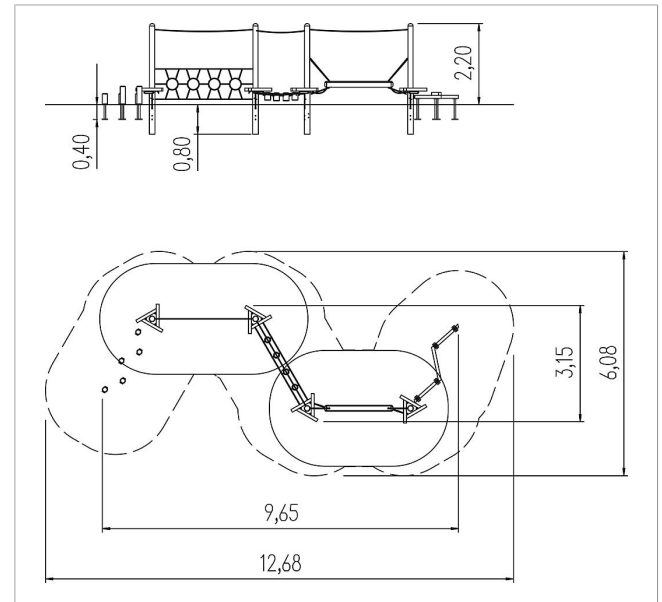
**active trail  
combination 03**

made in germany



**Scope of delivery**

- 4x island
- 1x crossing L1
- 1x crossing L2
- 1x crossing L6
- 1x crossing M4
- 1x crossing S3



	Material	Eucalyptus
	Foundation level	FL 3
	Minimum space	1268x608x320 cm
	Free falling height	99 cm
	Impact protection net	28,5 m <sup>2</sup>
	Foundations	12x CF
	Heaviest section	80 kg