



5 55 240 5

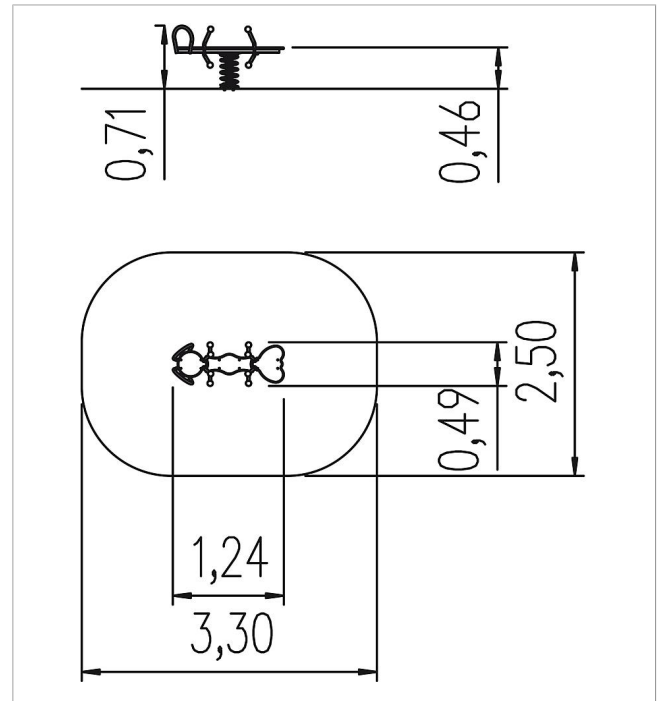
Basis Double spring rocker Grasshopper

made in germany



Scope of delivery

- 1x base structure: powder-coated steel
- 2x seats: PE
- 1x cover: PE
- 1x spring: spring steel



	Material	Steel, PE
	Foundation level	FL 1
	Minimum space	330x250x226 cm
	Free falling height	46 cm
	Impact protection net	7,5 m ²
	Foundations	1x 5632280 + 1x CF
	Assembly	1 person/0.5 h
	Largest section	114x40x40 cm
	Heaviest section	18 kg