

5 11 801 0110 0

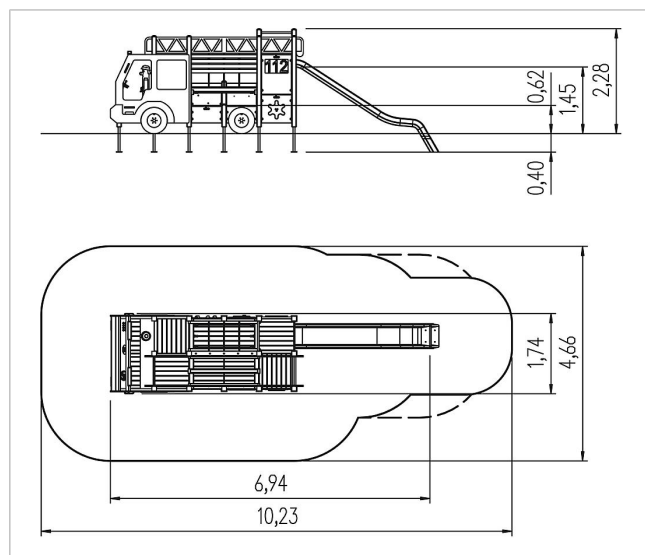
ecorino fire engine,  
solo

made in germany



### Scope of delivery

24x post structure: SW  
 24x post base: galvanised steel  
 10x platform structure: SW  
 2x panel: HPL  
 1x play panel slider: HPL  
 1x play panel tube roll: HPL  
 1x play panel steering wheel: HPL  
 2x panel 112: HPL  
 4x passage protection: stainless steel  
 2x grip set: aluminium, plastic-coated  
 1x climbing panel: HPL, climbing grips  
 1x balancing beam: SW  
 1x net bridge: SW, plastic-coated steel cable  
 1x backrest: HPL  
 1x seat board: HPL  
 1x dashboard: HPL, plastic  
 2x blue light: SW  
 1x car body fire brigade car: SW, HPL  
 3x lathe sliding roller shutter: SW  
 1x turnable ladder: HPL  
 1x vertical ladder: stainless steel  
 1x fire fighter: SW, stainless steel, HPL  
 4x wheels: HPL  
 fittings: stainless steel



	Material	SW pi
	Foundation level	FL 1
	Minimum space	1023x466x325 cm
	Free falling height	145 cm
	Impact protection net	39,5 m <sup>2</sup>
	Foundations	19x CF or 19x PFs
	Assembly	2 persons/7.5 h
	Largest section	171x159x2 cm