

5 25 135 1900 0

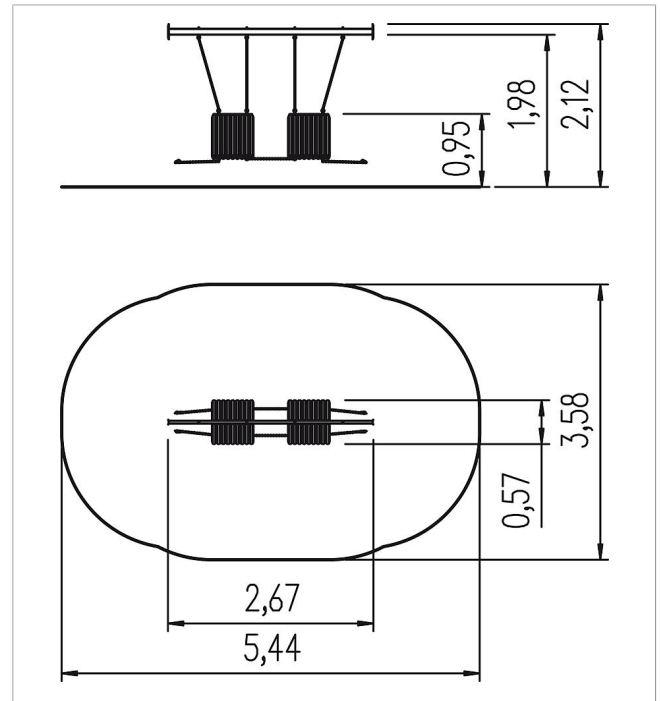
## active trail floating tunnel M7

made in germany



### Scope of delivery

- 1x pole: stainless steel
- 2x floating tunnel: PP, HPL, plastic-coated steel cable
- 6x chain: stainless steel



|   |                       |                     |
|---|-----------------------|---------------------|
|  | Material              | HPL, PP             |
|  | Minimum space         | 544x358x275 cm      |
|  | Free falling height   | 95 cm               |
|  | Impact protection net | 17,0 m <sup>2</sup> |
|  | Foundations           | -                   |