

5 62 004 0

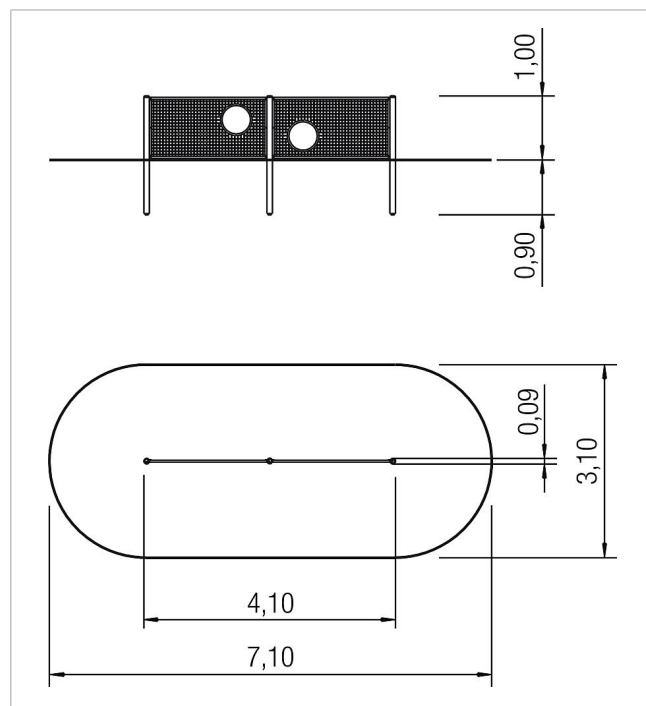
Basis Football-tennis-wall

made in germany



Scope of delivery

3x post, Ø 8,9 cm with cover: galvanised steel
2x field, 197x98 cm with hole, Ø 45 cm: wire netting, mesh width 5x5 cm



	Material	Steel galv.
	Minimum space	710x310x100 cm
	Free falling height	-
	Impact protection net	-
	Foundations	3x CF