



5 53 013 0

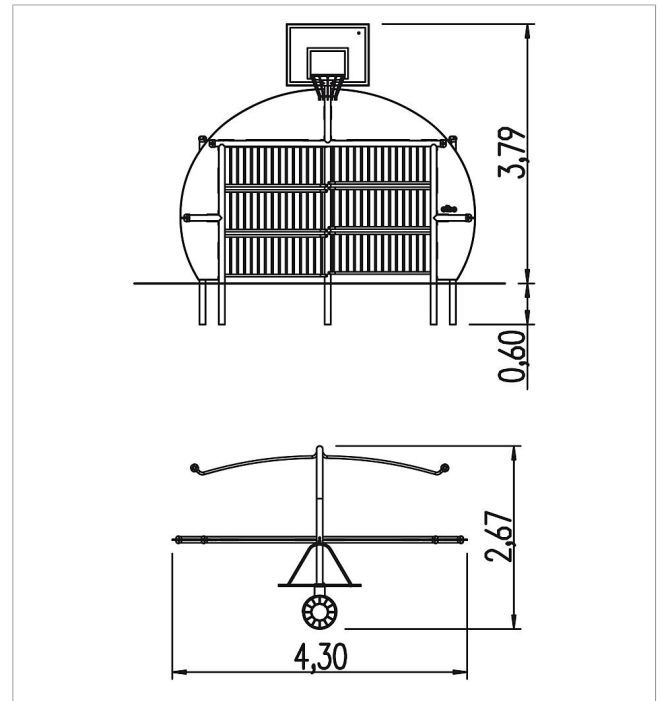
fit Goal unit Playland Flex

made in germany



Scope of delivery

1x goal with basketball: HPL, galvanised and powder-coated steel
panels: HPL
metal structure: galvanised and powder-coated steel
basket with chain: galvanised steel
goal board: GFRP



	Material	Steel powder., HPL
	Foundation level	FL 3
	Minimum space	430x267x579 cm
	Free falling height	-
	Impact protection net	12,0 m ²
	Foundations	5x CF
	Assembly	2 persons/6 h
	Largest section	340xØ 9 cm
	Heaviest section	100 kg