

5 56 077 0

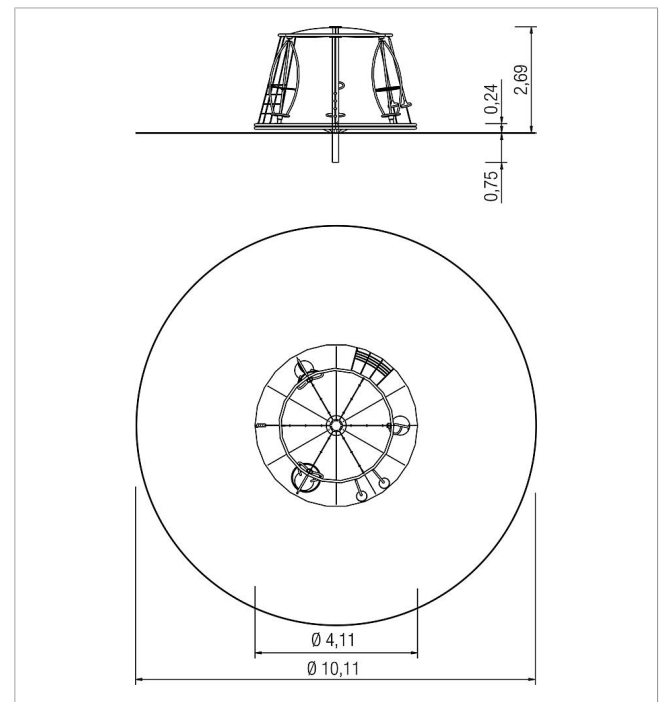
Basis Group roundabout Moon

made in germany



Scope of delivery

- 1x basic structure: VA, powder-coated steel
- 1x bearing
- 1x triple whisk closed: VA
- 1x triple whisk open: VA
- 1x double whisk: VA
- 2x pendulum seat: rubber, PE
- 1x rope: PES
- 1x climbing net: rope, PE



	Material	Stainless steel, PE, rope
	Minimum space	$\varnothing 1011 \times 370$ cm
	Free falling height	120 cm
	Impact protection net	80,5 m ²
	Foundations	1x CF