



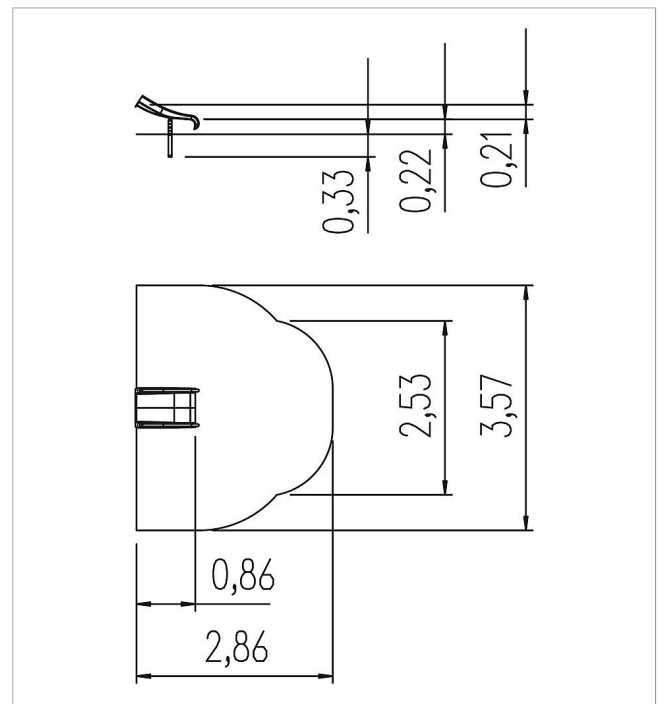
5 40 193 1012 6

Basis Hill slide end section short

made in germany

Scope of delivery

1x hill slide short end element: GFRP



	Material	GFRP red
	Foundation level	FL 3