

5 64 003 0

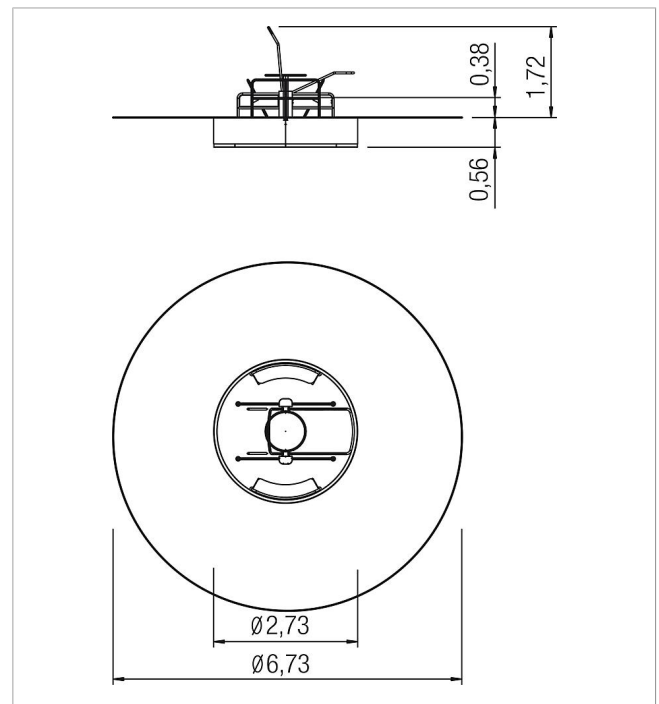
Basis Integration carousel

made in germany



Scope of delivery

- base structure: stainless steel
- 1x mounting panel: galvanised steel
- seats: HPL
- 1x bearing: ball/conical roller bearing
- bottom plate: galvanised steel



	Material	Stainless steel
	Foundation level	FL 3
	Minimum space	Ø 673x244 cm
	Free falling height	80 cm
	Impact protection net	36,0 m ²
	Foundations	1x CF
	Assembly	2 persons/3 h
	Largest section	Ø 261x140 cm
	Heaviest section	450 kg