



5 55 566 0

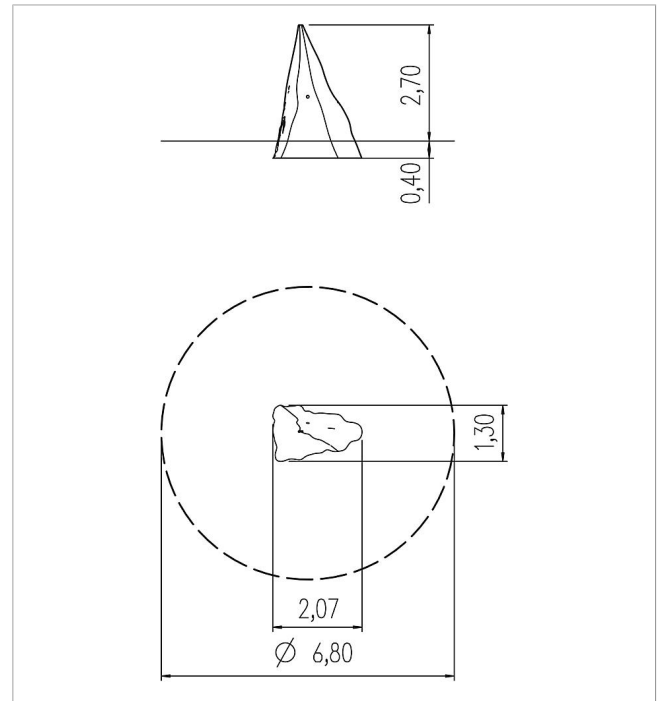
Basis Matterhorn

made in germany



Scope of delivery

1x Matterhorn H 3 m: GFRP



	Material	GFRP
	Foundation level	FL 1
	Minimum space	$\varnothing 680 \times 450$ cm
	Free falling height	210 cm
	Impact protection net	36,5 m ²
	Foundations	4x CF or 4x PFs
	Assembly	3 persons/3 h
	Largest section	310x210x130 cm
	Heaviest section	150 kg