



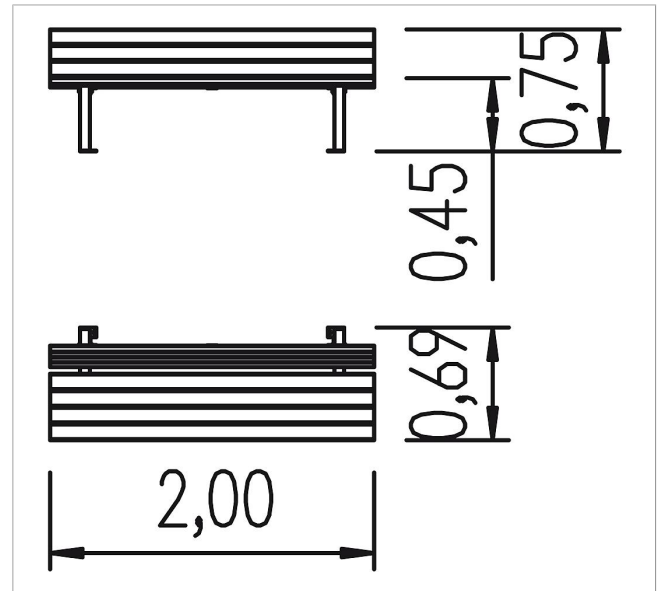
5 60 030 0




## Basis Park bench Monika

made in germany

### Scope of delivery

2x bench frame: galvanised steel  
1x seat board: SW  
1x backrest: SW



|   |                       |                  |
|---|-----------------------|------------------|
|  | Material              | Steel, SW glazed |
|  | Foundation level      | -                |
|  | Minimum space         | 200x69x75 cm     |
|  | Free falling height   | 45 cm            |
|  | Impact protection net | -                |
|  | Foundations           | 4x CF            |
|  | Assembly              | -                |
|  | Largest section       | -                |
|  | Heaviest section      | -                |