



5 56 080 0

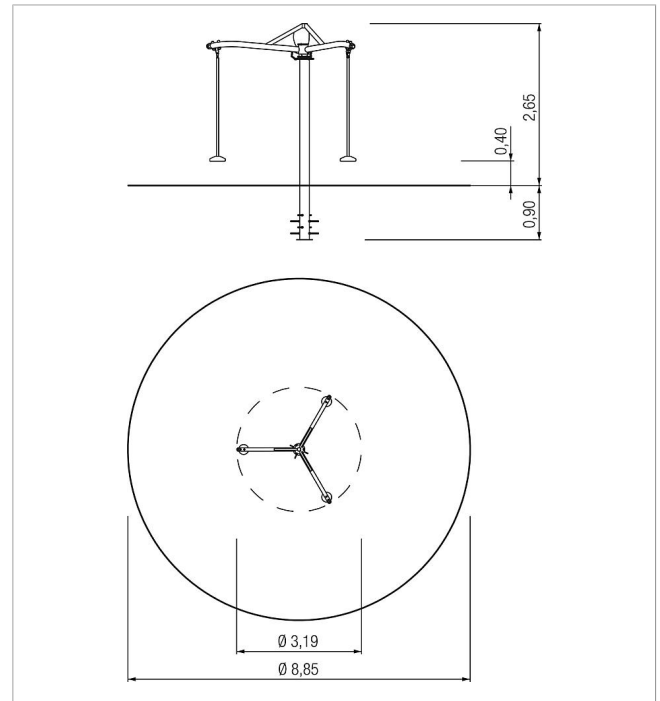
Basis Pendulum carousel Namaka

made in germany



Scope of delivery

- 1x post: powder-coated steel
- 1x pendulum structure: powder-coated steel, HDPE
- 1x pendulum seat: rubber



	Material	Steel powder., rubber
	Minimum space	Ø1085x445 cm
	Free falling height	70 cm
	Impact protection net	79,0 m ²
	Foundations	1x CF
	Heaviest section	48 kg