

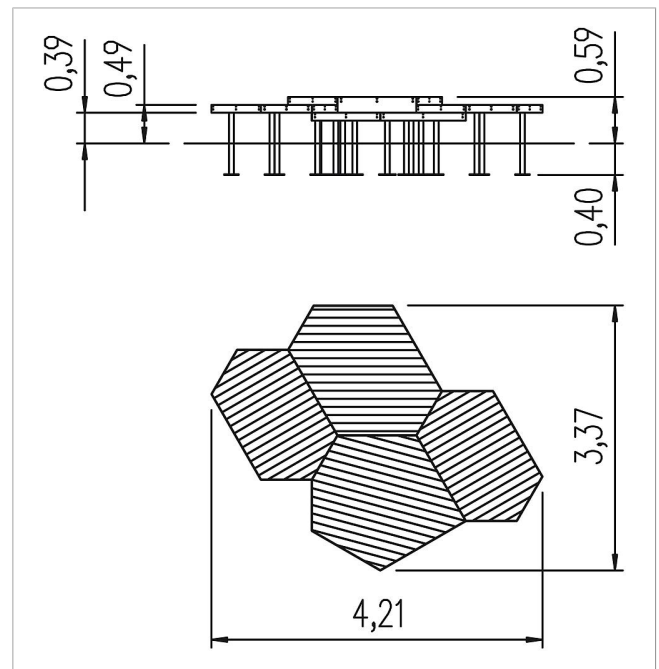
5 15 103 0110 0

Basis Platform Siebengebirge

made in germany

Scope of delivery

16x stand: galvanised steel
4x platform: SW
19x plank: HPL



	Material	SW pi
	Minimum space	421x337x239 cm
	Free falling height	59 cm
	Impact protection net	-
	Foundations	16x CF or 16x FPP