

5 25 130 0110 0

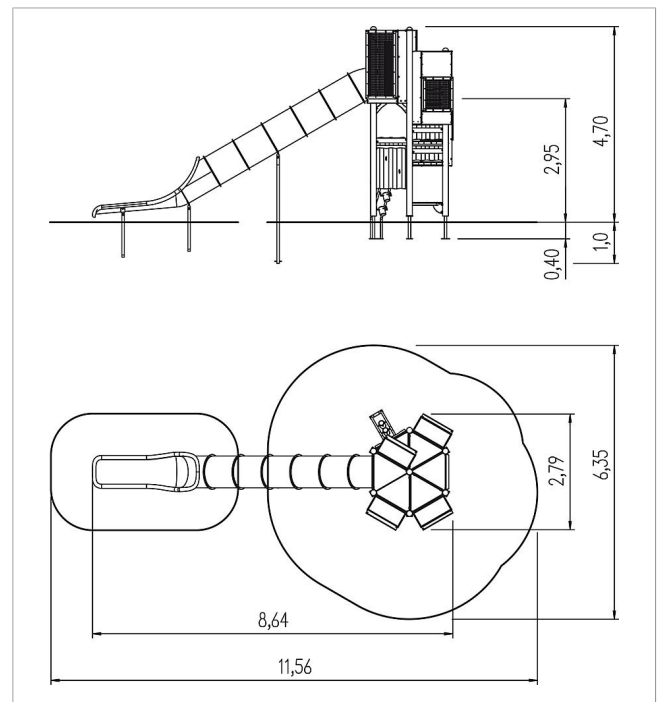
unique play unit
Barcelona, solo

made in germany



Scope of delivery

- 7x post construction: SW or steel
- 5x platform construction: galvanised steel
- 6x platform: HPL
- 8x wall panel: SW
- 4x 3D parapet: HPL, SW, stainless steel
- 1x climbing wall: HPL, climbing grips
- 1x wobbly trunk ascent: SW, stainless steel
- 1x frame trim: SW
- 1x slide entry plate: HPL
- 2x bench: SW, HPL
- 1x play board rotary colour disk: HPL, Macrolon, stainless steel
- 3x walk-through protection: polyester-coated steel cable, stainless steel
- 2x set of grips: steel



	Material	SW pi
	Foundation level	FL 1
	Minimum space	1156x635x475 cm
	Free falling height	295 cm
	Impact protection net	43,0 m ²
	Foundations	8x CF or 8x PFs