



5 11 019 0111 0

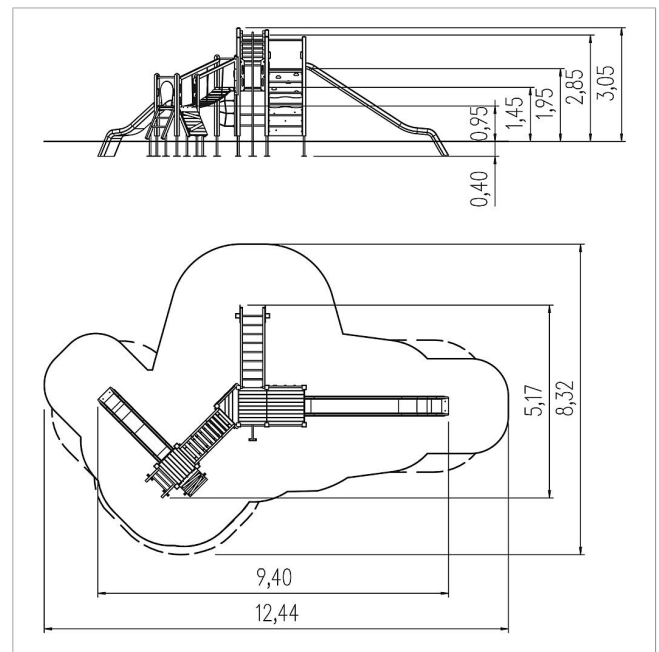
playo play unit Carl,
solo

made in germany



Scope of delivery

- 13x post construction: SW
- 13x post shoe: steel galvanised
- 4x platform construction: SW
- 2x adapter: SW
- 1x wall panel: HPL
- 4x walk-through protection leaf: stainless steel
- 4x set of grips: aluminium, plastic coated
- 1x monkey bars: SW, rungs stainless steel, HPL
- 1x suspension bridge oblique: SW, chain steel galvanised
- 1x climbing panel: HPL, climbing grips
- 1x climbing panel: HPL
- 4x cord protection: HPL
- 1x ladder vertical: SW, rungs stainless steel
- 1x ladder: SW, rungs stainless steel
- 1x net ascent vertical: polyester-coated steel cable
- 1x ramp: SW
- 2x slide entry plate: HPL
- 1x fireman's pole: stainless steel
- 3x access restriction: HPL
- fittings: stainless steel



	Material	SW pi
	Foundation level	FL 1
	Minimum space	1244x832x375 cm
	Free falling height	285 cm
	Impact protection net	57,0 m ²
	Foundations	16x CF or 16x PFs