



5 25 096 0110 0

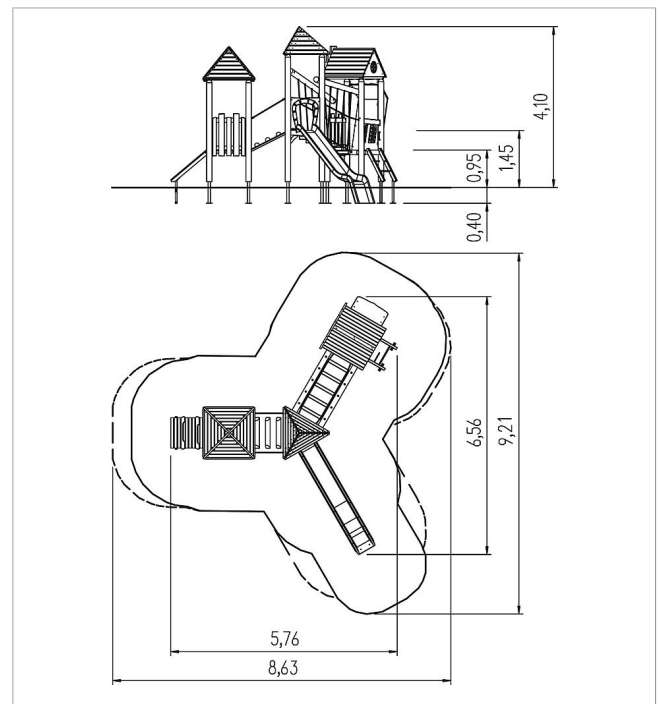
unique play unit
Charlton Castle, solo

made in germany



Scope of delivery

- 11x post construction: SW or steel
- 3x platform construction: galvanised steel
- 3x platform: HPL
- 1x 3D parapet castle: SW, HDPE, HPL with photo print
- 6x wall panel: SW
- 1x climber ramp: SW
- 1x material ladder: SW, stainless steel, polyester-coated steel cable
- 1x climbing platform ramp: HPL SW
- 1x wobbly bridge: SW, stainless steel
- 1x slide entry plate: HPL
- 3x roof: SW
- 2x walk-through protection: polyester-coated steel cable, stainless steel
- 2x set of grips: steel



	Material	SW pi
	Foundation level	FL 1
	Minimum space	863x921x410 cm
	Free falling height	145 cm
	Impact protection net	43,0 m ²
	Foundations	15x CF or 15x PFs