



5 25 074 0110 0

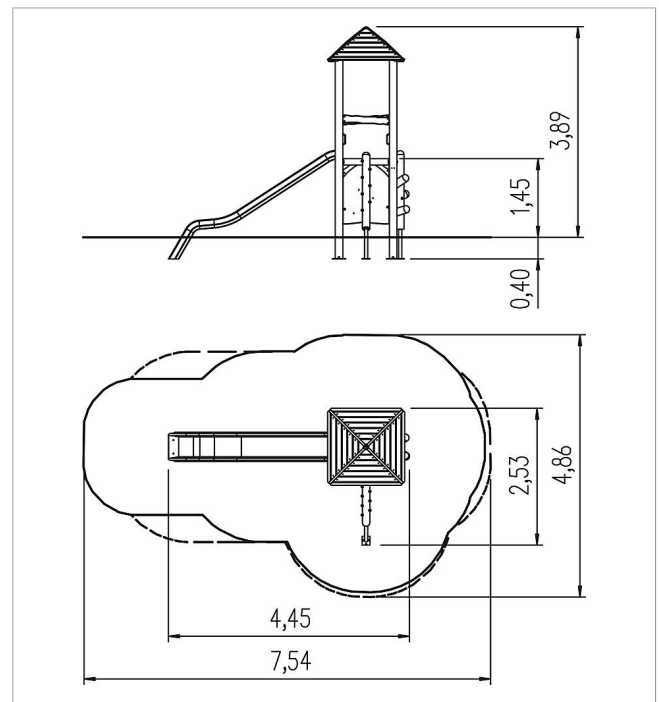
unique play unit
Dantos, solo

made in germany



Scope of delivery

- 4x post construction: SW or steel
- 1x platform construction: galvanised steel
- 1x platform: HPL
- 3x wall panel: SW
- 1x branch ascent: SW
- 1x climbing wall: HPL, climbing grips
- 1x bud ascent: SW
- 1x slide entry plate: HPL
- 1x roof: SW
- 3x set of grips: steel
- 1x frame trim: SW



	Material	SW pi
	Foundation level	FL 1
	Minimum space	754x486x489 cm
	Free falling height	145 cm
	Impact protection net	25,0 m ²
	Foundations	6x CF or 6x PFs