



5 25 068 0110 0

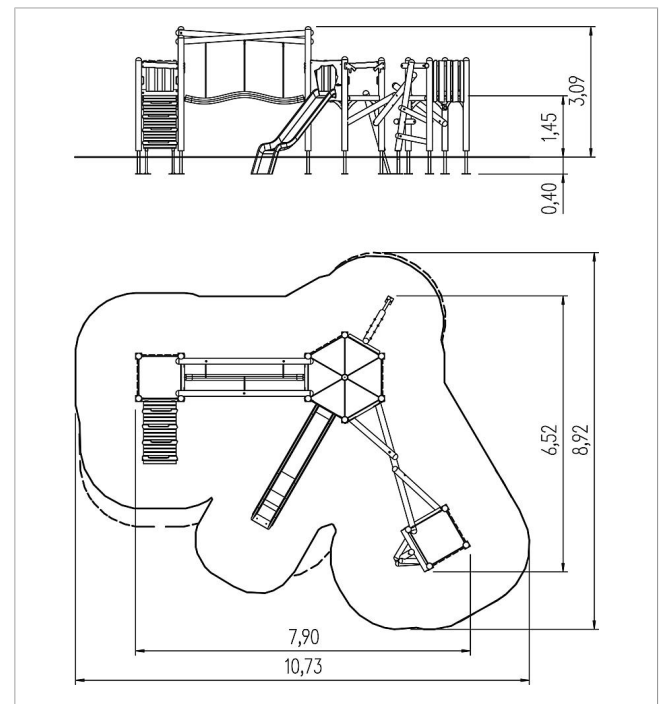
unique play unit  
Jeffron 2, solo

made in germany



### Scope of delivery

- 15x post construction: SW or steel
- 5x platform construction: galvanised steel
- 8x platform: HPL
- 8x wall panel: SW
- 1x climber ramp: SW
- 1x bud ascent: SW
- 1x struts trunk ascent: SW
- 1x Tibet bridge: polyester-coated steel cable
- 1x zigzag crossover: SW
- 1x slide entry plate: HPL
- 2x set of grips: steel



|   |                       |                     |
|---|-----------------------|---------------------|
|  | Material              | SW pi               |
|  | Foundation level      | FL 1                |
|  | Minimum space         | 1073x892x409 cm     |
|  | Free falling height   | 145 cm              |
|  | Impact protection net | 63,5 m <sup>2</sup> |
|  | Foundations           | 19x CF or 19x PFs   |