



5 11 006 0111 0

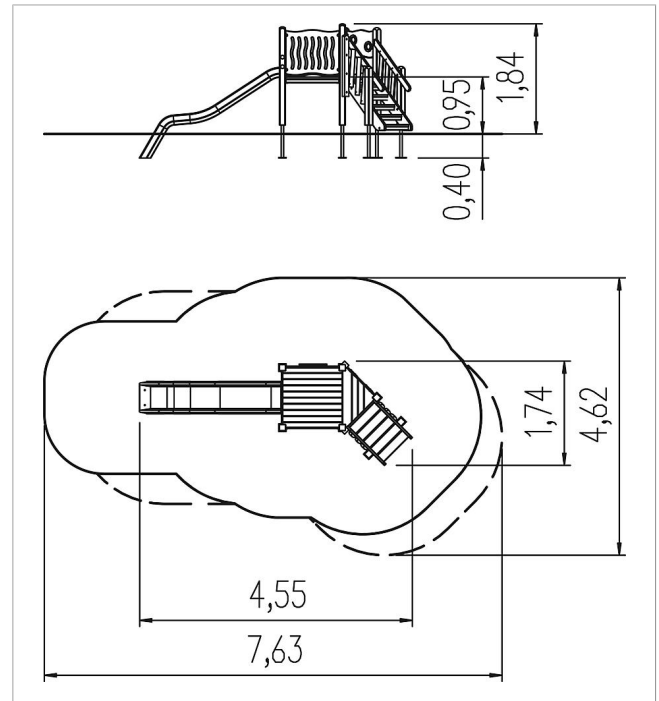
playo play unit Leon I, solo

made in germany



Scope of delivery

7x post construction: SW
7x post shoe: steel galvanised
2x platform construction: SW
2x adapter: SW
1x wall panel: HPL
1x slide entry plate: HPL
1x play panel letter disc: HPL, steel galvanised
1x play panel hole: HPL, perspex
1x play panel wavy grooves: HPL
1x staircase: SW
fittings: stainless steel



	Material	SW pi
	Foundation level	FL 1
	Minimum space	763x462x275 cm
	Free falling height	95 cm
	Impact protection net	23,0 m ²
	Foundations	7x CF or 6x PFs