

5 25 075 0110 0

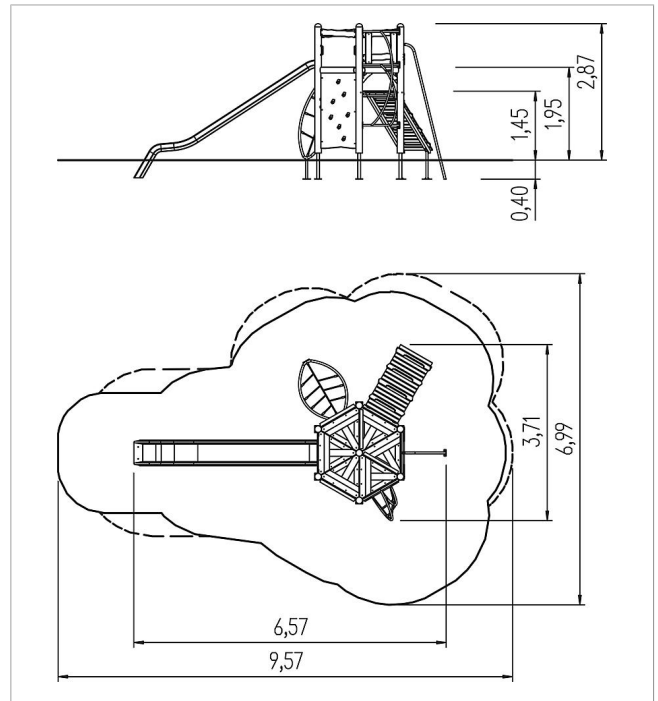
unique play unit Lycon 1, solo

made in germany



Scope of delivery

- 7x post construction: SW or steel
- 3x platform construction: galvanised steel
- 6x platform planks: SW
- 5x wall panel: SW
- 1x climber ramp: SW
- 1x leaf ascent: stainless steel, polyester-coated steel cable
- 1x fireman's pole: stainless steel
- 1x climbing wall: HPL, climbing grips
- 1x lavender ascent: stainless steel, polyester-coated steel cable, SW
- 1x slide entry plate: HPL
- 3x set of grips: steel
- 3x frame trim: SW



	Material	SW pi
	Foundation level	FL 1
	Minimum space	957x699x375 cm
	Free falling height	195 cm
	Impact protection net	41,0 m ²
	Foundations	11x CF or 11x PFs