



5 11 016 0111 0

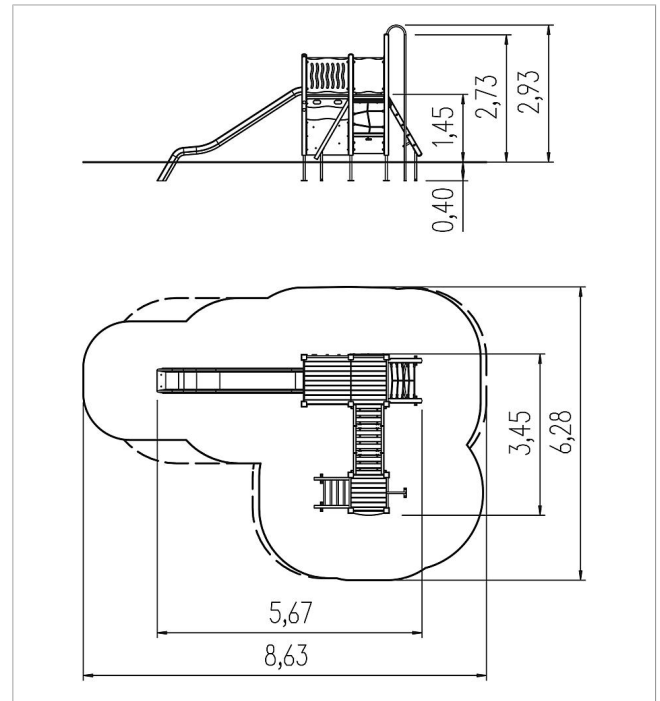
playo play unit Peggy,
solo

made in germany



Scope of delivery

- 10x post construction: SW
- 10x post shoe: steel galvanised
- 3x platform construction: SW
- 4x wall panel: HPL
- 4x walk-through protection leaf: stainless steel
- 4x set of grips: aluminium, plastic coated
- 1x suspension bridge gerade: NH, Kette steel galvanised
- 1x climbing panel: HPL, climbing grips
- 1x climbing panel: HPL
- 2x cord protection: HPL
- 1x ladder: SW, rungs stainless steel
- 1x net ascent oblique: polyester-coated steel cable, stainless steel
- 1x net ascent vertical: polyester-coated steel cable
- 1x slide entry plate: HPL
- 1x fireman's pole: stainless steel
- 1x play panel wavy grooves: HPL
- 1x counter: SW, HPL
- 1x access restriction: HPL
- fittings: stainless steel



	Material	SW pi
	Foundation level	FL 1
	Minimum space	863x628x325 cm
	Free falling height	173 cm
	Impact protection net	38,0 m ²
	Foundations	14x CF or 14x PFs