



5 11 024 0111 0

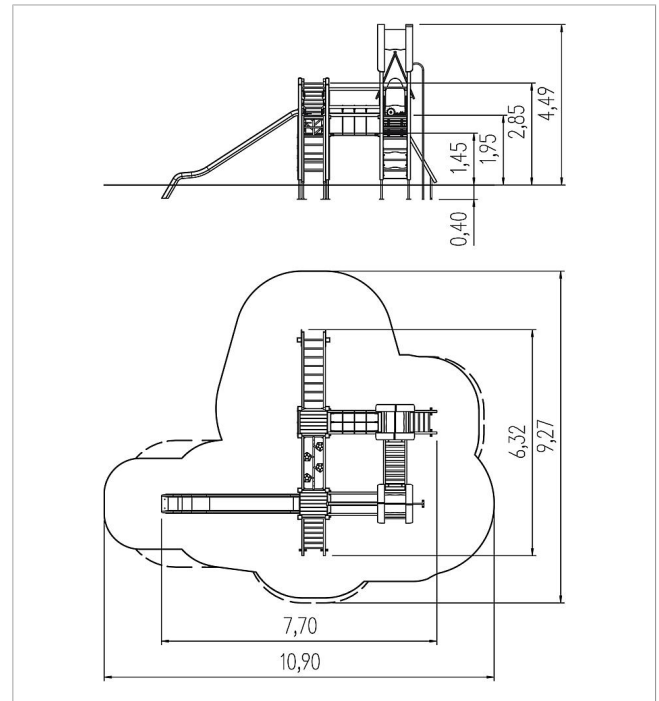
playo play unit Robin,
solo

made in germany



Scope of delivery

18x post construction: SW
 18x post shoe: steel galvanised
 4x platform construction: SW
 8x wall panel: HPL
 1x balance beam straight: SW
 4x walk-through protection leaf: stainless steel
 1x gecko crossing oblique: stainless steel, HPL, SW
 4x set of grips: aluminium, plastic coated
 1x monkey bars: SW, rungs stainless steel, HPL
 1x suspension bridge oblique: SW, chain steel galvanised
 4x cord protection: HPL
 1x ladder vertical: SW, rungs stainless steel
 2x ladder: SW, rungs stainless steel
 1x net ascent vertical: polyester-coated steel cable
 1x net bridge straight: SW, polyester-coated steel cable
 1x slide entry plate: HPL
 1x fireman's pole: stainless steel
 1x play panel click wheel: HPL, stainless steel, plastic
 1x play panel gear wheel: HPL
 2x pitched roof: SW, HPL
 1x counter: SW, HPL
 6x access restriction: HPL
 fittings: stainless steel



	Material	SW pi
	Foundation level	FL 1
	Minimum space	1090x927x449 cm
	Free falling height	285 cm
	Impact protection net	63,5 m ²
	Foundations	21x CF or 21x PFs