



5 11 013 0111 0

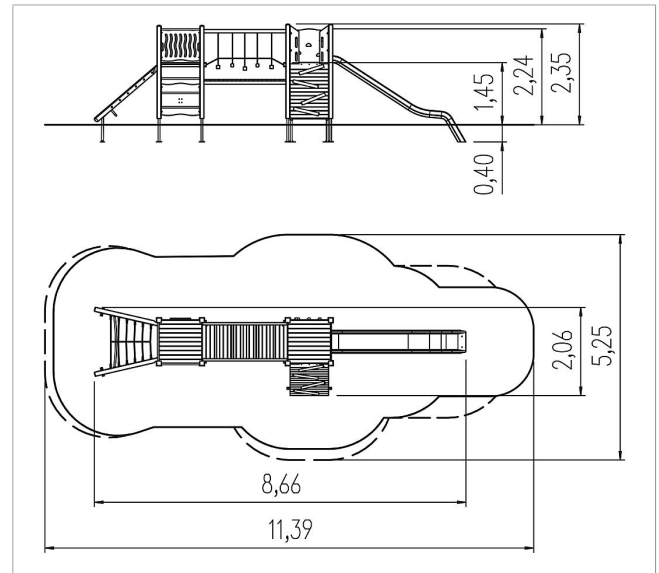
## playo play unit Tom, solo

made in germany



### Scope of delivery

- 8x post construction: SW
- 8x post shoe: steel galvanised
- 2x platform construction: SW
- 2x walk-through protection leaf: stainless steel
- 1x step-through protection straight: SW
- 2x set of grips: aluminium, plastic coated
- 1x climbing panel: HPL, climbing grips
- 2x climbing panel: HPL
- 1x ladder vertical: SW, rungs stainless steel
- 1x net ascent oblique: polyester-coated steel cable, stainless steel
- 1x ramp: SW
- 1x slide entry plate: HPL
- 1x play panel hole: HPL, perspex
- 1x play panel wavy grooves: HPL
- 1x play panel dice disc: HPL, steel galvanised
- 1x wobbly bridge straight: SW, chain steel galvanised
- 1x access restriction: HPL
- fittings: stainless steel



	Material	SW pi
	Foundation level	FL 1
	Minimum space	1139x525x325 cm
	Free falling height	224 cm
	Impact protection net	42,5 m <sup>2</sup>
	Foundations	12x CF or 12x PFs