



5 25 122 0110 0

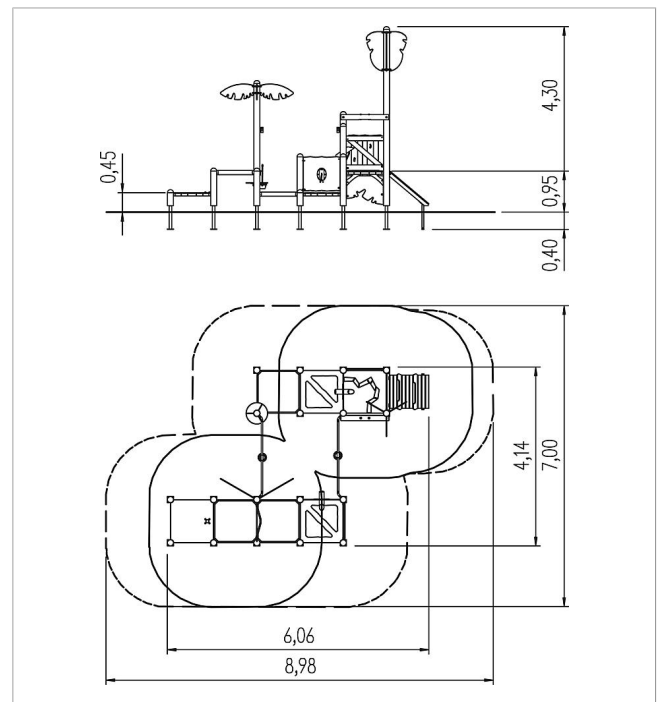
unique sand and mud facility Mole

made in germany



Scope of delivery

- 18x post construction: SW or steel
- 4x platform construction: galvanised steel
- 1x platform river: HPL
- 2x platform sand sieve: HPL, stainless steel
- 1x platform: HPL
- 3x mud tray: stainless steel
- 2x wall panel chute: HPL, stainless steel, plastic
- 4x wall panel: SW
- 1x climber ramp: SW
- 2x overhead conveyor with sand bucket: stainless steel, rubber PAK-free
- 1x sand lift with sand bucket: SW, stainless steel, rubber PAK-free
- 1x gaming table: HPL, steel
- 2x decoration leaves: HPL
- 6x decoration palm leaf: HPL
- 1x set of grips: steel



	Material	SW pi
	Foundation level	FL 1
	Minimum space	898x700x530 cm
	Free falling height	95 cm
	Impact protection net	29,5 m ²
	Foundations	20x CF or 20x PFs