

5 11 027 0111 0

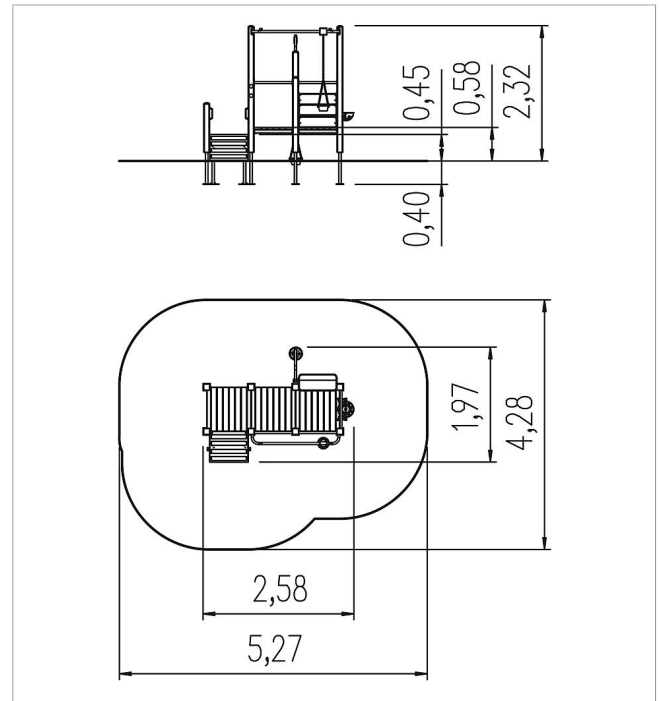
## playo sand and mud play unit Lara

made in germany



### Scope of delivery

- 8x post construction: SW
- 8x post shoe: steel galvanised
- 3x platform construction: SW
- 3x walk-through protection leaf: stainless steel
- 1x set of grips: aluminium, plastic coated
- 1x overhead conveyor: stainless steel, rubber
- 1x ramp: HPL, SW
- 1x sand lift: stainless steel, rubber
- 1x sand slide: HPL
- 1x sand sieve: stainless steel
- fittings: stainless steel



	Material	SW pi
	Foundation level	FL 1
	Minimum space	527x428x238 cm
	Free falling height	58 cm
	Impact protection net	19,5 m <sup>2</sup>
	Foundations	9x CF or 9x PFs