



5 11 064 0110 0

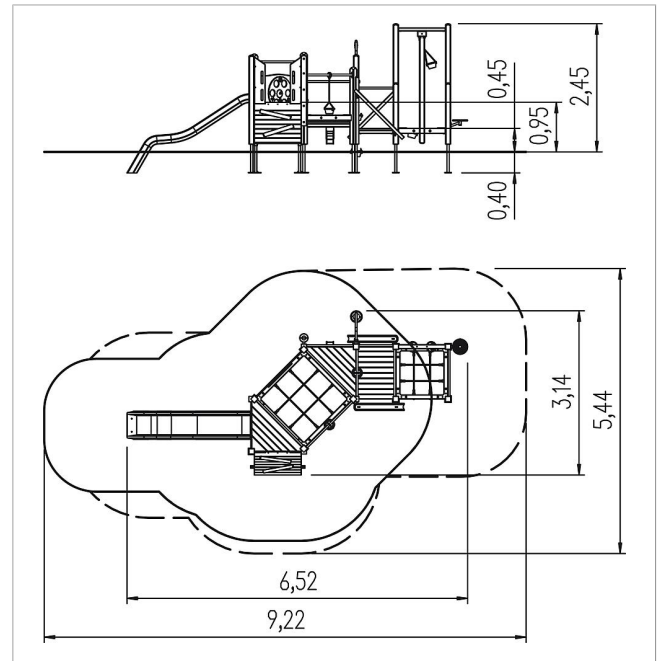
playo sand and mud  
play unit Lotta, solo

made in germany



### Scope of delivery

- 10x post construction: SW
- 10x post shoe: steel galvanised
- 3x platform construction: SW
- 4x adapter: SW
- 1x wall panel: HPL
- 6x walk-through protection leaf: stainless steel
- 1x set of grips: aluminium, plastic coated
- 2x net frame: SW, HPL, polyester-coated steel cable
- 1x ramp: HPL, SW
- 1x slide entry plate: HPL
- 1x riddle screen: stainless steel
- 1x sand lift: SW, stainless steel, rubber
- 1x sand lift: stainless steel, rubber
- 1x sand wheel: PP
- 2x sand chute: SW
- 2x sand grafter: stainless steel, rubber
- 1x sand silo: stainless steel
- 1x play panel play of colour: HPL, perspex
- 1x access restriction: HPL
- fittings: stainless steel



	Material	SW pi
	Foundation level	FL 1
	Minimum space	922x544x275 cm
	Free falling height	95 cm
	Impact protection net	25,5 m <sup>2</sup>
	Foundations	12x CF or 12x FPP