



5 11 045 0410 0

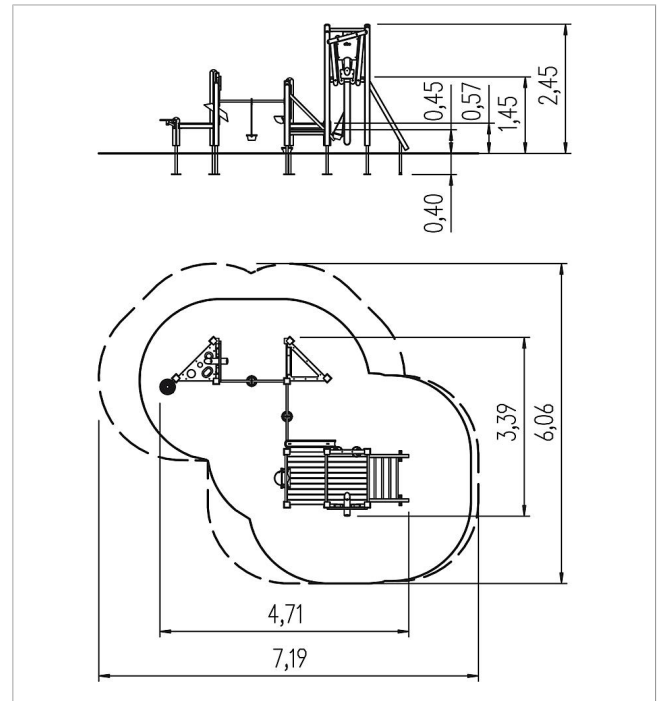
playo sand and mud
play unit Sofia

made in germany



Scope of delivery

- 12x post construction: SW
- 12x post shoe: steel galvanised
- 2x platform construction: SW
- 2x adapter: SW
- 3x walk-through protection leaf: stainless steel
- 2x set of grips: aluminium, plastic coated
- 1x climbing panel: HPL
- 1x ladder: SW, rungs stainless steel
- 1x riddle screen: stainless steel
- 1x sand lift: SW, stainless steel, rubber
- 1x sand chute: SW
- 2x sand grafter: stainless steel, rubber
- 2x sand flow tube: SW, HPL, chain steel galvanised, plastic
- 1x sand sieve: stainless steel
- 1x play panel sand chute: SW, HPL
- 1x play platform stove: HPL, SW
- 1x play platform sand sieve: SW, HPL, stainless steel
- fittings: stainless steel



	Material	Larch GL, larch
	Foundation level	FL 1
	Minimum space	719x606x325 cm
	Free falling height	145 cm
	Impact protection net	24,0 m ²
	Foundations	14x CF or 14x PFs