



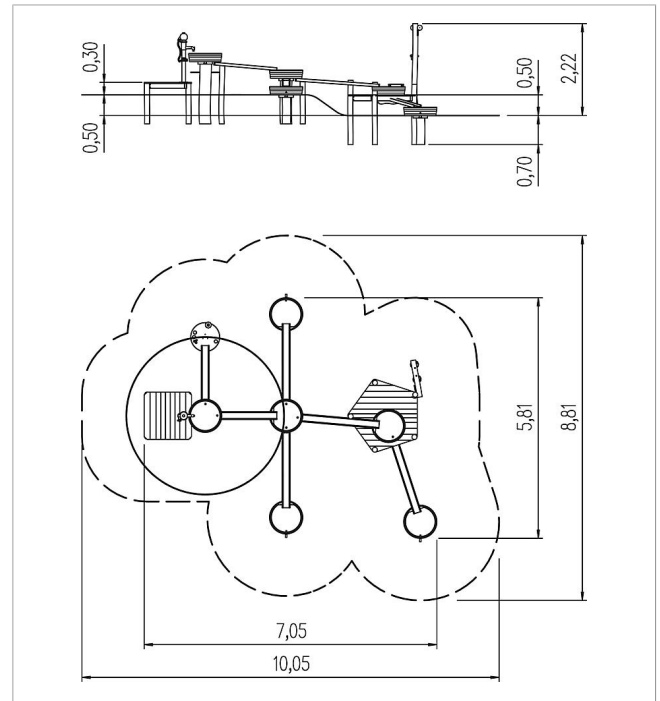
5 45 111 0530 6



**paradiso sand
construction site**
Albida
made in germany

3+

Scope of delivery

- 20x posts: robinia
- 1x pump platform PH 30 cm: robinia
- 6x wood water trough: robinia
- 1x mud table: HPL
- 1x pentagonal-platform PH 50 cm: robinia
- 1x sand crane: stainless steel, rubber
- 1x sand sieve: stainless steel
- 6x tub: robinia



	Material	Robinia oiled
	Foundation level	FL 3
	Minimum space	1005x881x264 cm
	Free falling height	84 cm
	Impact protection net	65,0 m ²
	Foundations	13x CF
	Assembly	-