



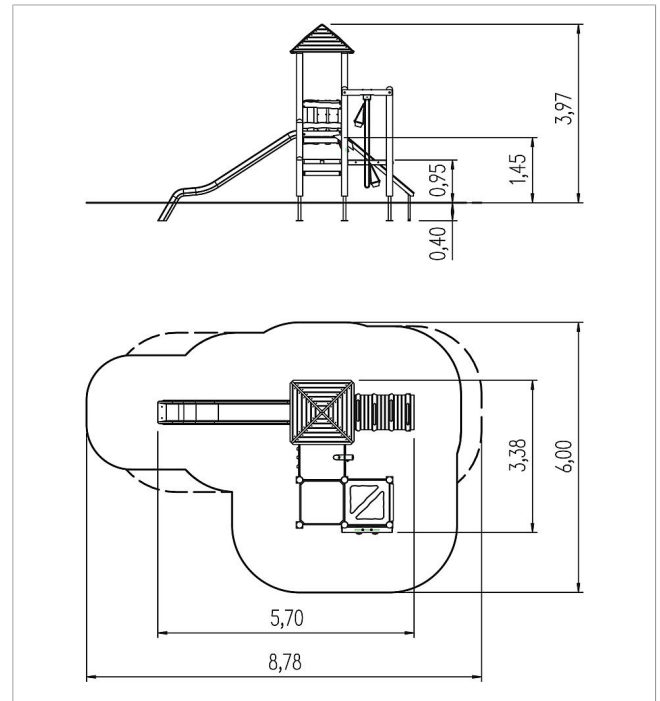
5 25 125 0110 0

**unique sand
construction site**
Keros, solo
made in germany



Scope of delivery

- 10x post construction: SW or steel
- 3x platform construction: galvanised steel
- 1x platform squared timber: HPL, SW
- 1x platform sand sieve: HPL, stainless steel
- 1x platform: HPL
- 1x wall panel chute: HPL, stainless steel, plastic
- 1x wall panel open: SW, macrolon
- 4x wall panel: SW
- 1x climber ramp: SW
- 1x climbing wall: HPL, climbing grips
- 1x mud tray: stainless steel
- 2x frame trim: SW
- 1x slide entry plate: HPL
- 1x sand lift with sand bucket: SW, stainless steel, rubber PAK-free
- 2x set of grips: steel



	Material	SW pi
	Foundation level	FL 1
	Minimum space	878x600x397 cm
	Free falling height	145 cm
	Impact protection net	37,0 m ²
	Foundations	12x CF or 12x PFs