



5 25 133 0110 0

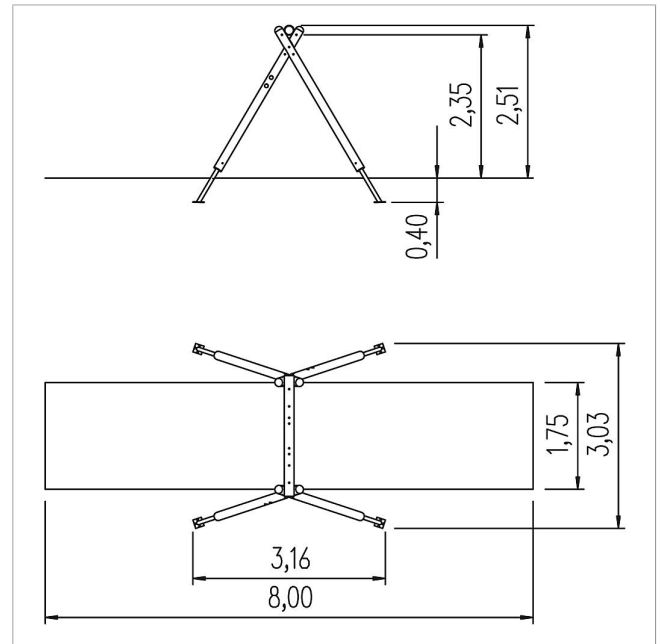
## unique single swing frame Eagle

made in germany



### Scope of delivery

1x swing frame: SW, galvanised steel  
post shoes: galvanised steel



	Material	SW pi
	Foundation level	FL 1
	Minimum space	800x303x317cm
	Free falling height	137 cm
	Impact protection net	14,0 m <sup>2</sup>
	Foundations	4x CF or 4x PFs