



5 56 074 0

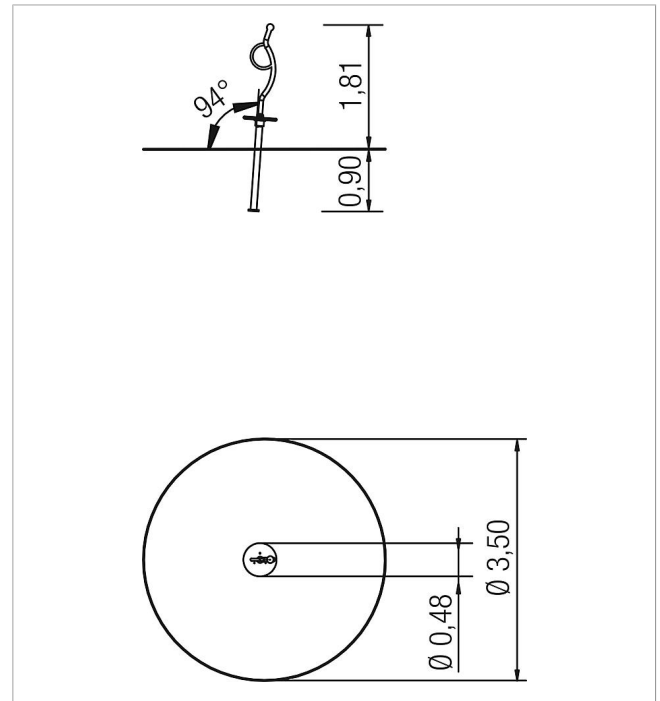
Basis Single Swirl

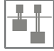


made in germany



Scope of delivery

1x stand-up roundabout: stainless steel



	Material	Stainless steel
	Foundation level	FL 3
	Minimum space	Ø 350x280 cm
	Free falling height	45 cm
	Impact protection net	11,0 m ²
	Foundations	1x CF