



5 58 409 0

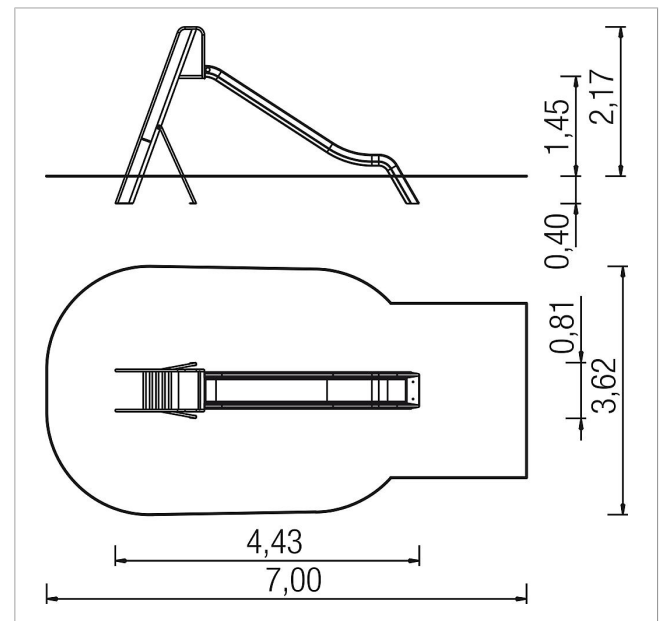
Basis Slide with ladder GFRP & SSt coat, ph 145 cm



made in germany



Scope of delivery

1x slide ph 145 cm: GFRP with stainless steel cover
1x slide ascent: galvanised steel



	Material	GFRP, Steel
	Foundation level	FL 1
	Minimum space	700x362x325 cm
	Free falling height	145 cm
	Impact protection net	22,0 m ²
	Foundations	4x CF or 4x PFs
	Assembly	1 person/1 h
	Largest section	313x54x20 cm
	Heaviest section	55 kg