

5 45 174 0630 0

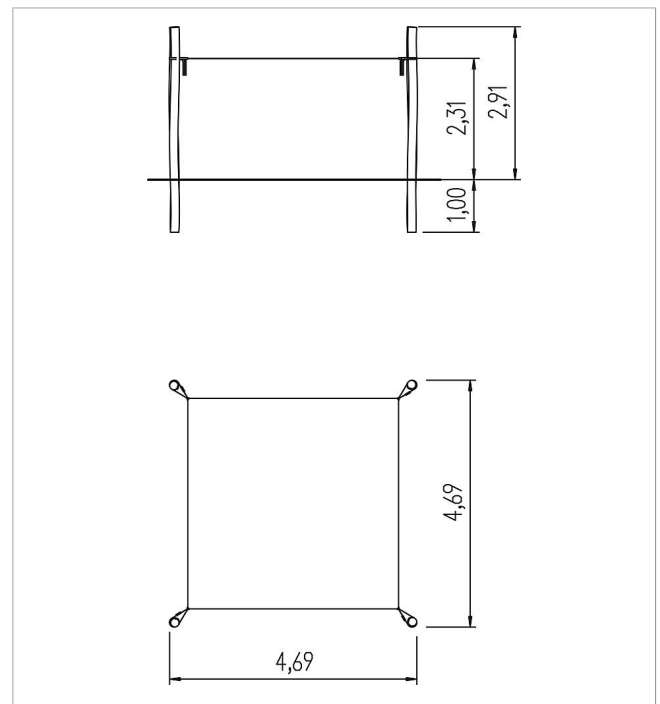
paradiso solar panel Simon, complete


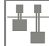



made in germany



Scope of delivery

1x rectangular sun sail 400x400 cm with tensioning straps: PE-fabric
4x posts: robinia
suspension height: 230 cm



	Material	Robinia natural
	Foundation level	FL 3
	Minimum space	469x469x291 cm
	Free falling height	-
	Impact protection net	-
	Foundations	4x CF
	Assembly	-